



IPSC CLASSIFIER - STAGE: CLM-34

The International Practical Shooting Confederation - P.O. Box 972 Oakville, Ontario, Canada L6J 9Z9
Tel: (905) 849-6960 - fax: (905) 842-4323

Course of Fire Type: Short Classifier Stage

Stage Procedure:

On the signal, from Area A, draw and shoot the targets in any order, **strong hand only**.

Scoring:

Comstock

Targets:

3 Metric

Possible Points:

30

Minimum Rounds:

6

Start Position:

Standing relaxed in Area A, facing downrange.

Start:

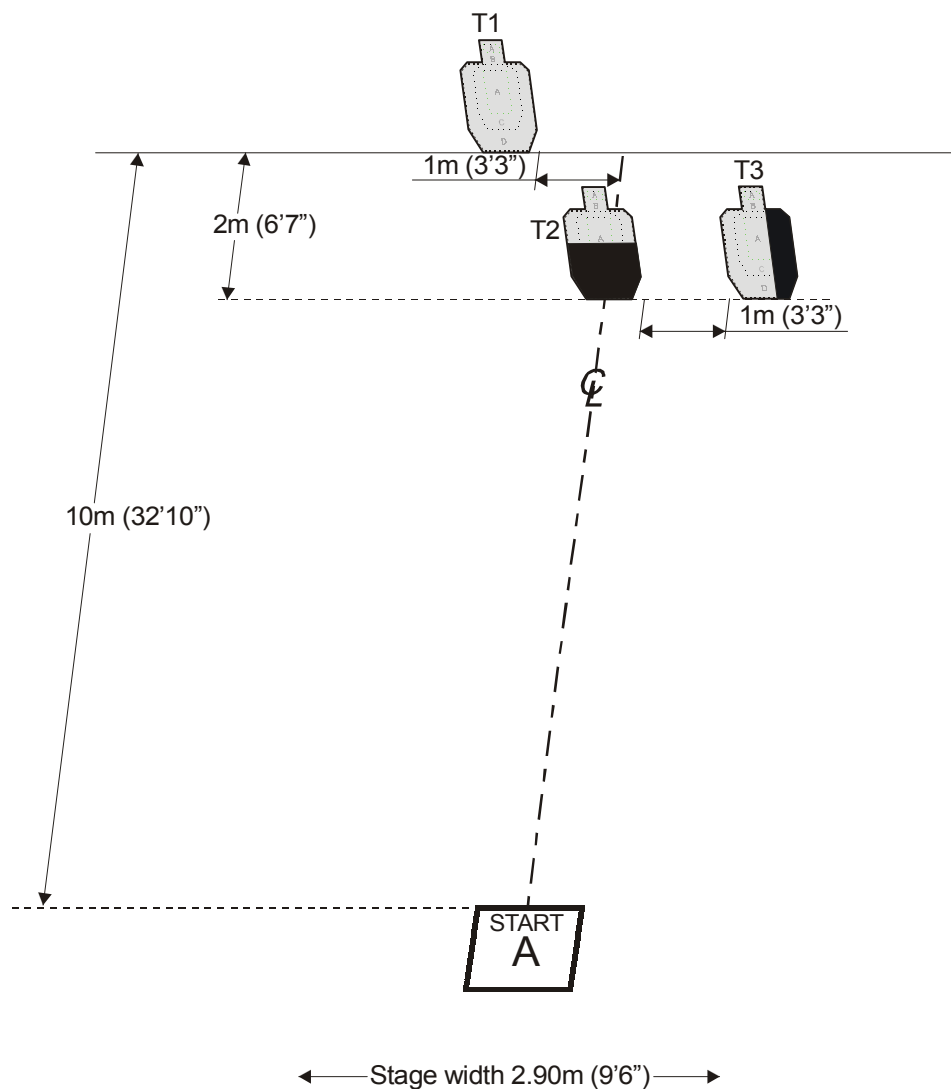
On audible signal

Stop:

Last shot

Penalties:

As per current edition IPSC rules



SETUP NOTES: Set paper targets to 1.52m (5 feet) to the top of targets. Area A is 0.92m(3') by 0.92m(3'). Hard cover on T2 covers half of the lower A zone.