



# IPSC CLASSIFIER - STAGE: CLC-73

The International Practical Shooting Confederation - P.O. Box 972 Oakville, Ontario, Canada L6J 9Z9  
Tel: (905) 849-6960 - fax: (905) 842-4323

**Course of Fire Type:** Short Classifier Stage

**Stage Procedure:**

On the signal, draw and shoot the targets in any order from Area A.

**Scoring:**

Comstock

**Targets:**

2 Classic, 2 Classic Poppers

**Possible Points:**

30

**Minimum Rounds:**

6

**Start Position:**

Standing relaxed in Area A, facing downrange with arms folded wrists over lapping across the chest.

**Start:**

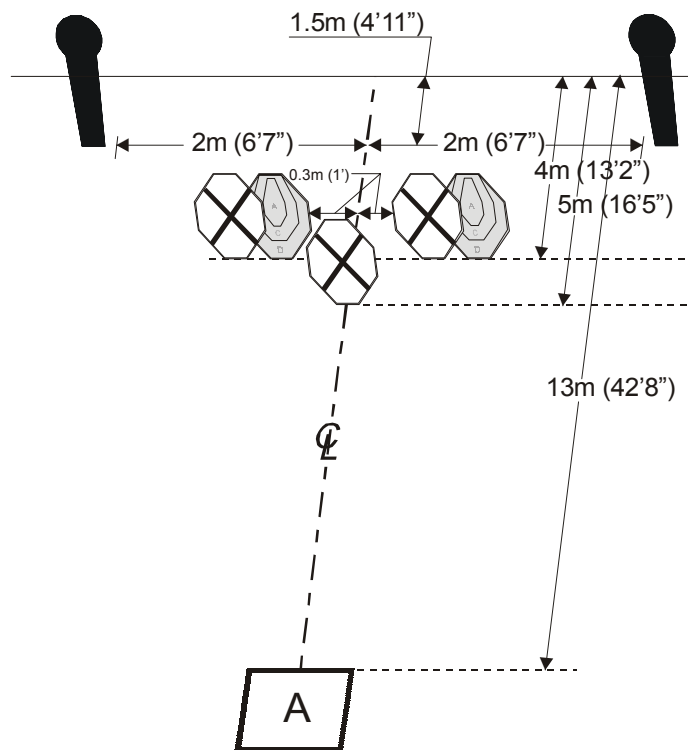
On audible signal

**Stop:**

Last shot

**Penalties:**

As per current edition IPSC rules



**Setup notes:** Set paper targets at 1.52m (5 feet) to the top of targets. Areas A is 0.92m (3') by 0.92m (3').